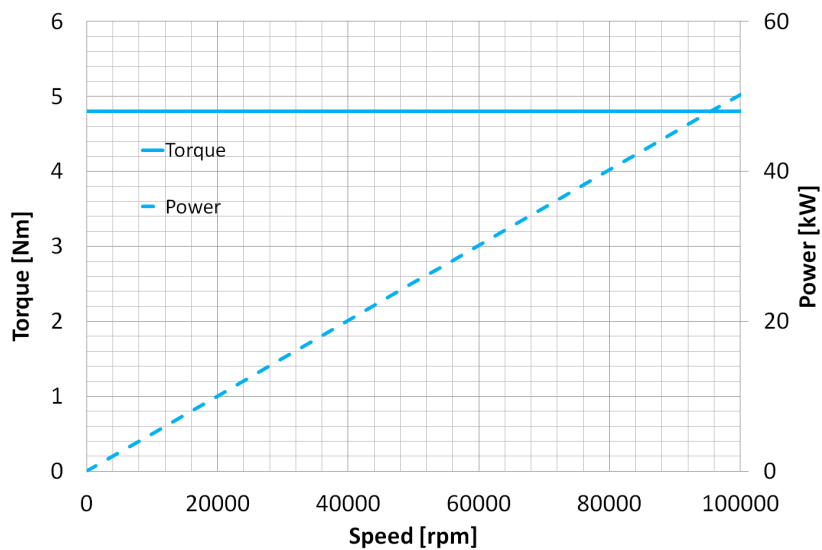
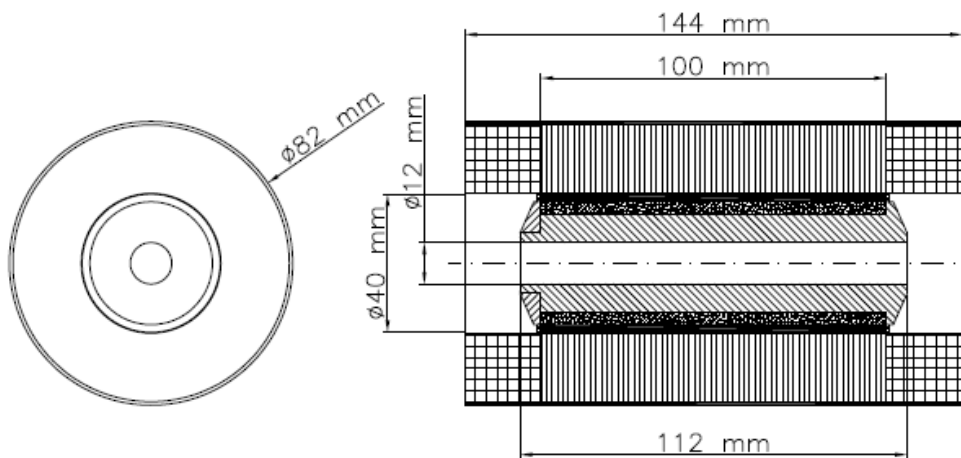
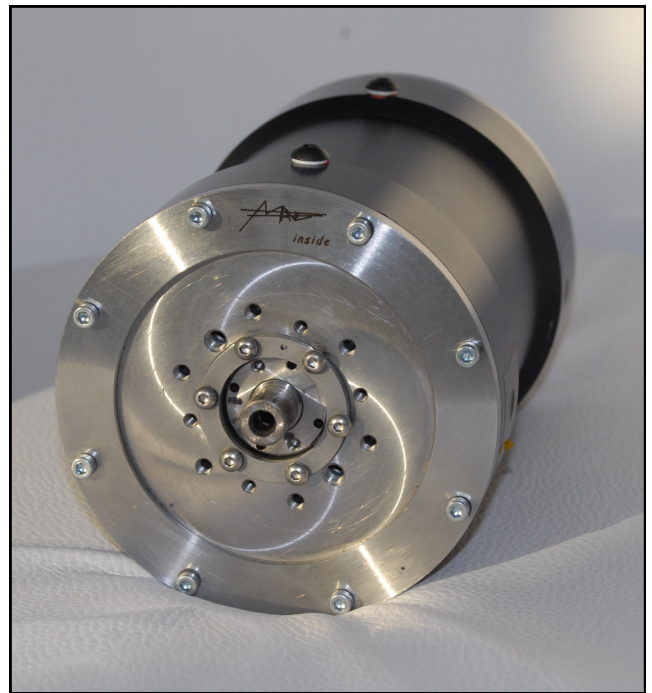


LF50H

Weight of active parts	<7 kg
Maximum Power	60 kW
Nominal power	50 kW
Max. voltage phase peak	430 V
Max. current phase peak	100 A
Nominal current phase peak	88A
Max. Torque	5.4 Nm
Nominal Torque	4.8 Nm
Max. Speed (0 Torque)	120000 rpm
Max operative speed	100000 rpm
Rotor maximum temperature	120°C
Stator maximum temperature	150°C
Number of poles	2
Number of phase	3
Cooling	Liquid



LF50H



www.mavelpowertrain.com

