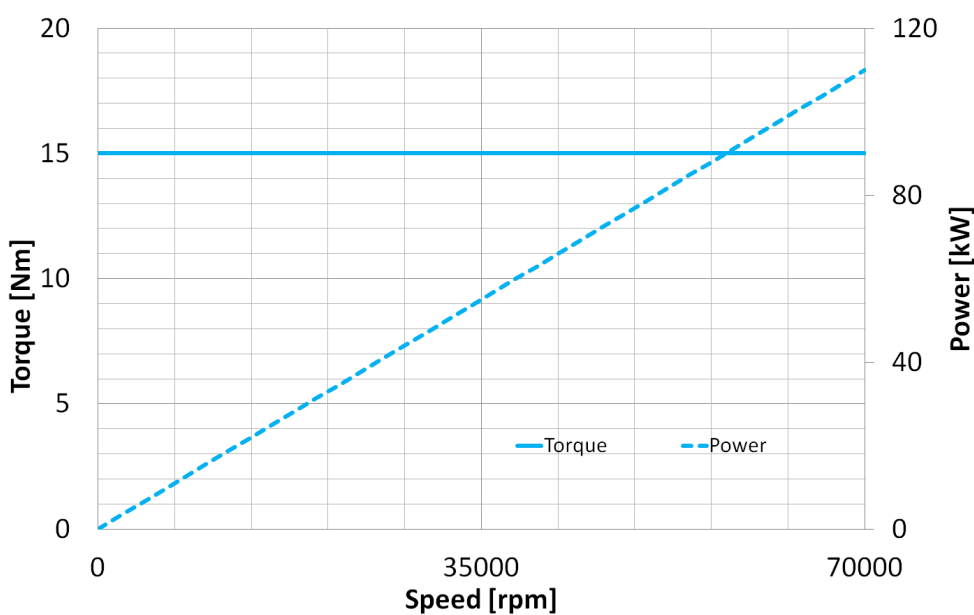
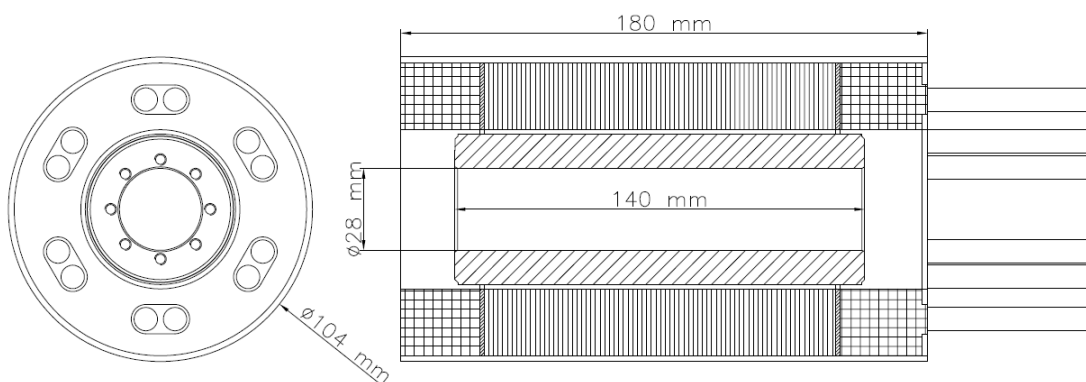
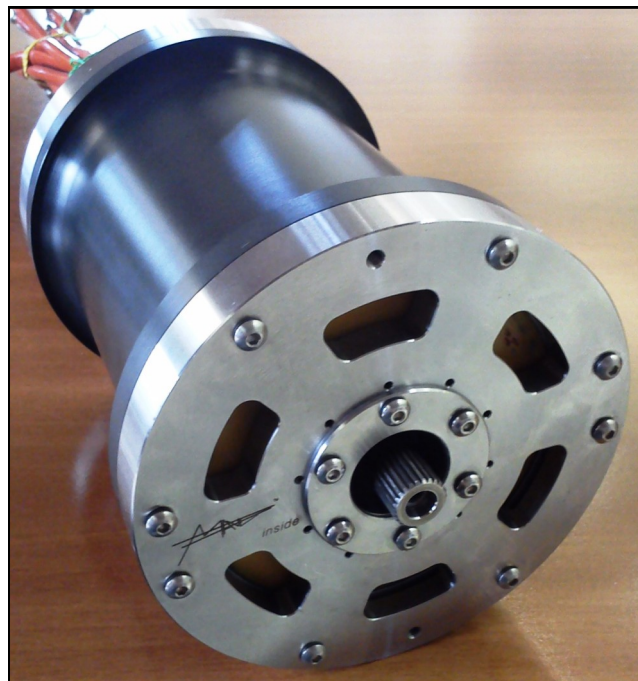


LF110H

Weight of active parts	<8 kg
Maximum Power	130 kW
Nominal power	110 kW
Max. voltage phase peak	430 V
Max. current phase peak	220 A
Nominal current phase peak	180 A
Max. Torque	20 Nm
Nominal Torque	15 Nm
Max. Speed (0 Torque)	80000 rpm
Max operative speed	70000 rpm
Rotor maximum temperature	120°C
Stator maximum temperature	150°C
Number of poles	4
Number of phase	3
Cooling	Liquid



LF110H



www.mavelpowertrain.com

