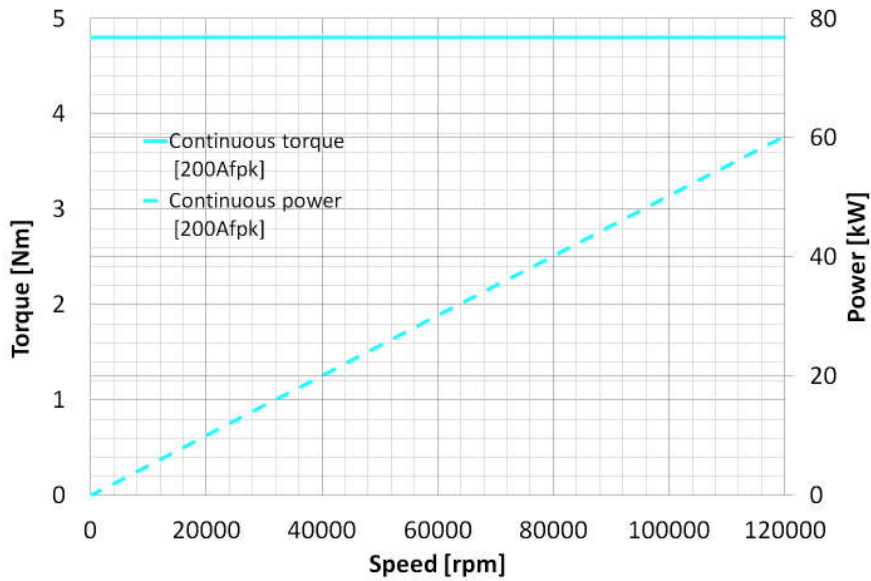
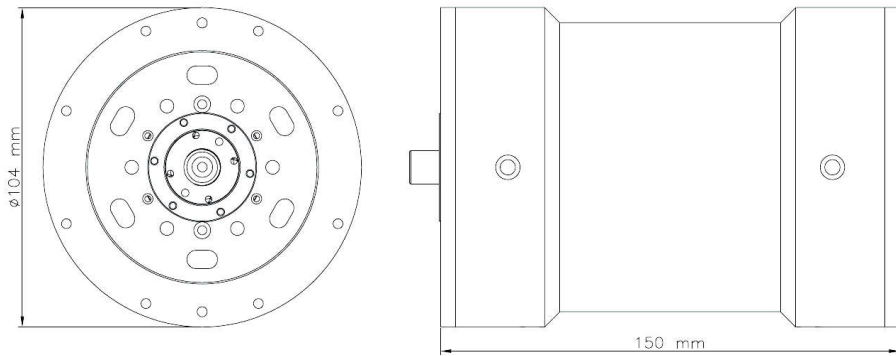
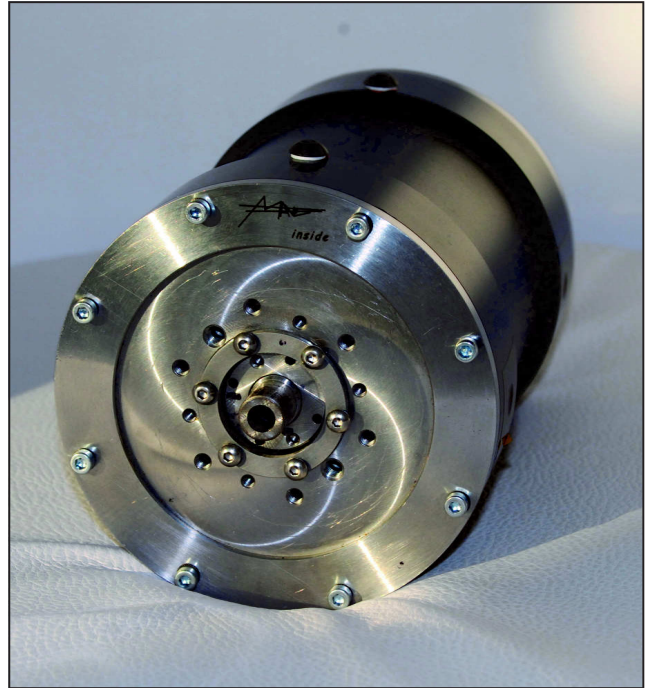


LF60

Weight	6 kg
Maximum Power	90 kW
Nominal power	60 kW
Max. voltage phase peak	180 V
Max. current phase peak	400 A
Nominal current phase peak	200 A
Max. Torque	9 Nm
Nominal Torque	5 Nm
Max operative speed	120000 rpm
Rotor maximum temperature	120°C
Stator maximum temperature	150°C
Number of poles	2
Number of phase	3
Cooling	Liquid



Mavel LF60



www.mavelpowertrain.com
info@mavelpowertrain.com

