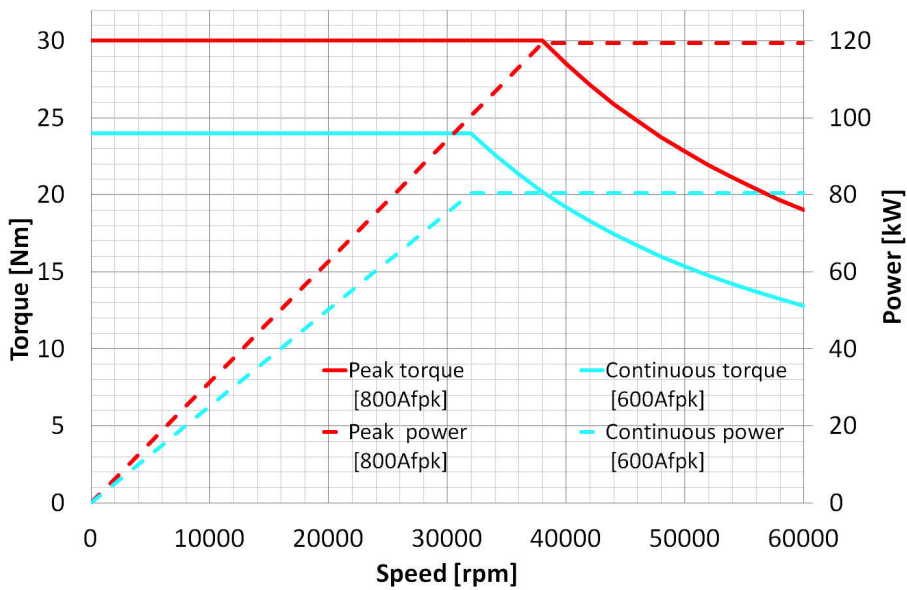
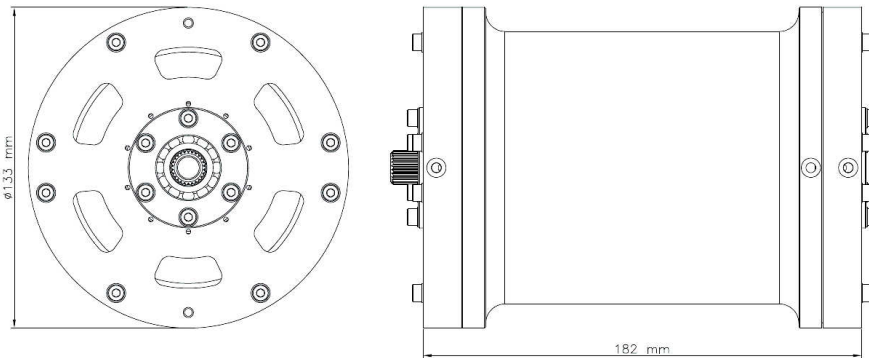
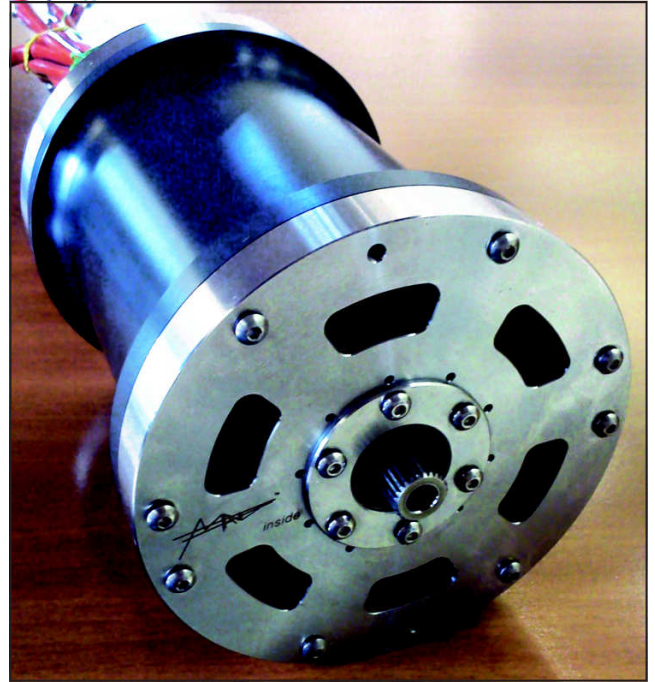


LF100

Weight	9 kg
Maximum Power	120 kW
Nominal power	100 kW
Max. voltage phase peak	180 V
Max. current phase peak	800 A
Nominal current phase peak	600 A
Max. Torque	30 Nm
Nominal Torque	24 Nm
Max. Speed (0 Torque)	70000 rpm
Max operative speed	60000 rpm
Rotor maximum temperature	120°C
Stator maximum temperature	150°C
Number of poles	4
Number of phase	3/6
Cooling	Liquid



Mavel LF100



www.mavelpowertrain.com
info@mavelpowertrain.com

